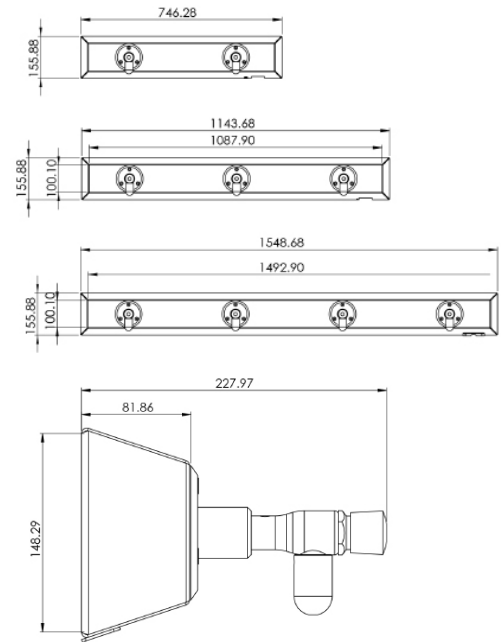
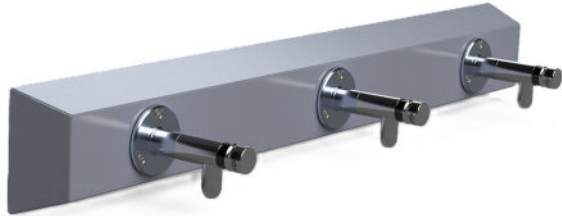


# REFILL STRIPS | BF200WM WALL MOUNTED BOTTLE REFILL MULTI STRIP SPECIFICATION SHEET



## MODEL

**Model:** BF200WM Wall mounted Bottle Refill Multi Strip

**SKU:** DFBF200WM  
2 Tap refill, 3 Tap refill, 4 Tap refill

## DIMENSIONS

**Total Height:** 155mm  
**Width:** 746mm, 1143mm, 1548mm

## CERTIFICATIONS



## FEATURES

- + 316 Stainless Steel
- + Solid Construction
- + Vandal resistant Tap Flange
- + Easy Push Activator (self-returning)
- + Polished Finish
- + 316 S/S Fixings
- + Australian Made
- + Perfect for installation above existing school bubbler troughs

## OPTIONS

- + Available in 2, 3 or 4 Tap Refill Strip
- + "Refill" Plaque
- + Artwork – Logo/Laser etching
- + Optional powdercoat finish

## POPULAR COLOURS

